

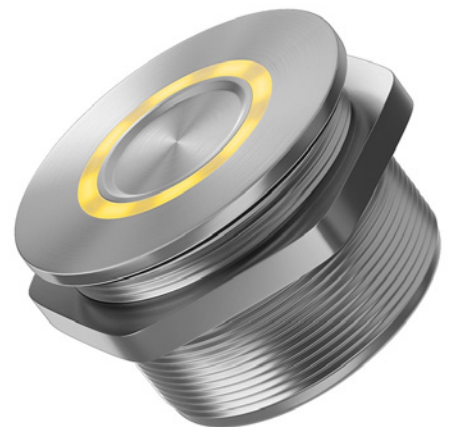
SBR33

27 mm, recessed

SBR33 is a ring illuminated metal piezoelectric switch designed with no moving mechanical components, featuring waterproof and tamper-resistant elements to ensure service in the harshest environments. SBR33 can be used in Car Wash Systems, Emergency Call Boxes, Pedestrian Crossings, and more. The piezoelectric switch is fully customizable.

Key Characteristics:

- 12V or 24V LEDs standard (3.3 V and 5 V available)
- Red, green, amber, blue, white or bi-color red/green or tri-color R-B-G LEDs
- Aviation grade aluminum or stainless steel 303 (304, 316 optional)
- Tactile versions with center movement optional
- 30 cm cable standard (longer length, connectors, pins or terminal block optional)
- Glass and plastic versions available as well



Electrical Data

Switch Function	N.O. Momentary (N.C. optional) Prolonged, Toggle (On/Off), Continuous as well as Programmable, Timer, Slide, Self Diagnostic, and WiFi Enabled (optional)
Switch Voltage	0-24 AC/DC
Switch Current	0.2 A standard (up to 1 Amp optional)
Rated Breaking Capacity	Power Dissipation < 5 Watt
Operating Cycles	> 50,000,000
Switch Resistance OFF	> 20M Ohm
Switch Resistance ON	< 5 Ohm
Switch Capacitance	10 pF
Switch On Duration	Up to 20 sec
Contact Configuration	Free polarity

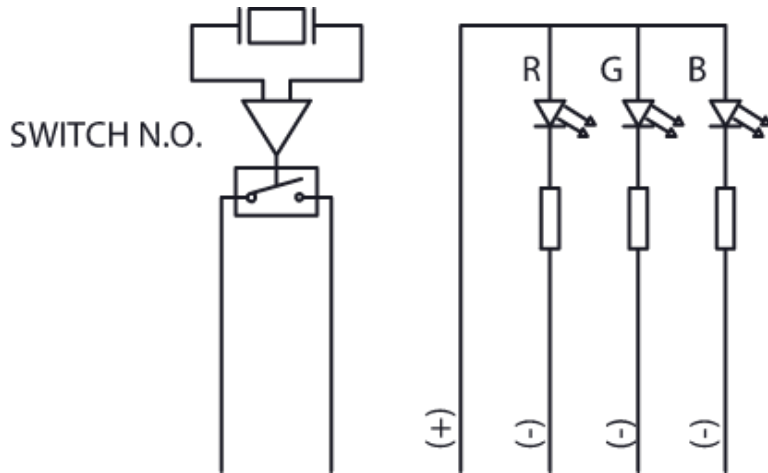
Mechanical Data

Housing Materials	Aluminum 6061 T651, Stainless Steel (Type 303, 304 or 316) or Plastic
Actuating Force	2-5 Newtons
Non-Illuminated	Polycarbonate
Connection	22 AWG standard, (pin, tab or terminal blocks optional)
Shock Protection	IK 10
Fastening Torque	2.5 Nm

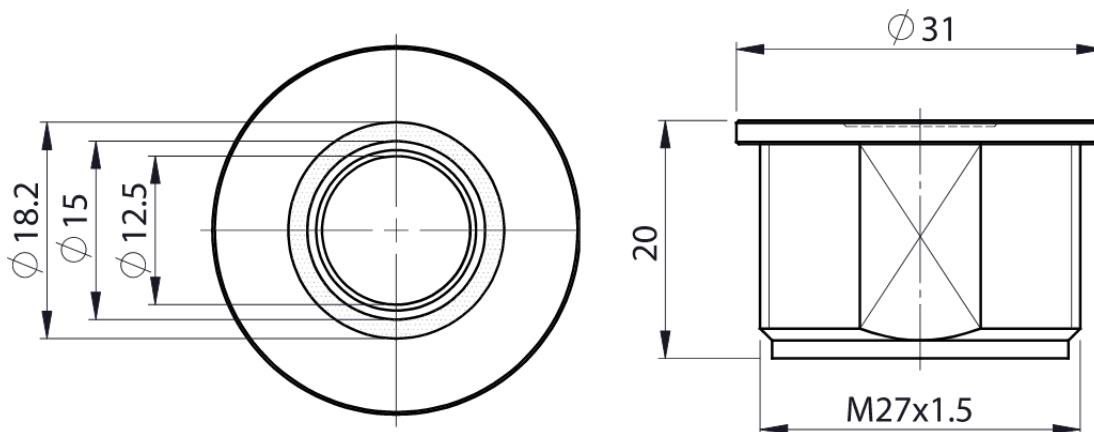
Environmental Data

Operating Temperature	-20°C to +75°C
Storage Temperature	-40°C to +125°C
IP Protection	IP69 K

Electrical Diagram



Technical Drawing



*The specifications, descriptions and illustrations indicated in this document are based on current information. All content is subject to modifications and amendments. Users should evaluate the suitability and test each product selected for their own applications.