

# SBA1

22.5 mm, flat

SBA1 is a fully customizable special function touch metal piezo switch, developed for use even in the toughest conditions. This special function switch has no moving mechanical parts in order to increase its durability. Additionally, this switch is protected against water in accordance with IP68 K / IP69 K. SBA1 is a reliable shockproof piezo switch for use in demanding applications such as Defence, Oil & Gas, Food Processing, and more.

## Key Characteristics:

- Aviation Grade Aluminum or Stainless Steel 303 standard (304, 316 optional)
- Anodized Aluminum in Silver, Black, Red, Green, Blue or Gold Finishes
- 30 cm, 22 gauge wires standard (longer length, connectors, pins or terminal block optional)
- 0.2A, 24V standard (1A, 24V available)
- Laser Engraving or Anodized printing optional



## Electrical Data

Switch Function	N.O. Momentary (N.C. optional) Prolonged, Toggle (On/Off), Continuous as well as Programmable, Timer, Slide, Self Diagnostic, and WiFi Enabled optional
Switch Voltage	0-24 AC/DC
Switch Current	0.2 A standard (up to 1 Amp optional)
Rated Breaking Capacity	Power Dissipation < 5 Watt
Operating Cycles	> 50,000,000
Switch Resistance OFF	> 20M Ohm
Switch Resistance ON	< 5 Ohm
Switch Capacitance	10 pF
Switch On Duration	Up to 20 sec
Contact Configuration	Free Polarity

## Mechanical Data

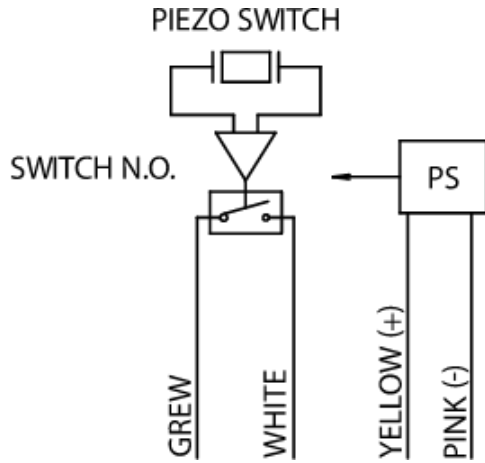
Housing Materials	Aluminum 6061 T651, Stainless Steel (Type 303, 304 or 316) or Plastic
Actuating Force	2-5 Newtons
Non-Illuminated	Polycarbonate
Connection	22 AWG standard, (pin, tab or terminal blocks optional)
Shock Protection	IK 10
Fastening Torque	2.5 Nm

## Environmental Data

Operating Temperature	-20°C to +75°C
Storage Temperature	-40°C to +125°C
IP Protection	IP69 K

## Electrical Diagram

---



## Technical Drawing

---

